

HEATSTRIP® 





HEATSTRIP[®] 

LEADING HEATING
TECHNOLOGY



CONTENTS

07	About HEATSTRIP
14	HEATSTRIP Classic
20	HEATSTRIP Design
28	HEATSTRIP Elegance
34	HEATSTRIP Enhance
40	HEATSTRIP Max
46	HEATSTRIP Intense
54	HEATSTRIP Indoor
58	HEATSTRIP Gas
62	HEATSTRIP Hospitality

ABOUT HEATSTRIP

HEATSTRIP outdoor gas and electric heaters are proudly designed, engineered in Australia and exported to world markets. HEATSTRIP has been engineering innovative, stylish and energy efficient products since 1988. With HEATSTRIP inovative heating solutions there is no need to abandon the outdoor area or compromise your style with bulky and unpleasant heaters. World-wide , many large venues enjoy the style and performance that HEATSTRIP has to offer. While they are suitable for commercial use, our award-winning heaters are also ideal for residential alfresco areas.

A TRUSTED NAME

HEATSTRIP heaters are recommended by many of the world's top architects, designers, consultants and specifiers, who trust ins the world-class quality, performance and aesthetics.



HEATSTRIP has been widely recognised for world-class design and innovation. The HEATSTRIP Portable LPG heater won a **Good Design Australia Selection**. HEATSTRIP classic-design was awarded coveted **Australian Business Award** for Product Value.



THE HEATER THAT IS A DESIGN FEATURE!

The HEATSTRIP story

HEATSTRIP is the original design of this style of patio and conservatory heaters, the number one brand for reliability and is firmly established as the market leader on an international scale.

The HEATSTRIP brand was first established in Australia in 2004 when the product design team recognised the opportunity for a new style of electric radiant heaters. The first model was designed for indoor use and was an immediate success as architects and engineers specified them for schools, commercial buildings and many other applications.

It was a natural progression to further develop HEATSTRIP for outdoor application. Because of the higher operating temperature required for the outdoor model this presented some unique engineering challenges and required thousands of hours of development and testing time to perfect the revolutionary design.

This has resulted in a range of 8 different series of products within the HEATSTRIP product category: Classic, Design, Elegance, Max, Enhance, Intense, Indoor and the Gas heater (Good Design Australia Selection). No matter what your requirements are, you will be able to find the indoor or outdoor heater for you from our extensive selection of solutions. Design and Elegance range is also available now with remote or app function.

Whatever your needs are, you will be able to find your indoor or outdoor heater in our extensive selection of solutions.

What is a HEATSTRIP?

A HEATSTRIP is a high intensity electric radiant heater suitable for outdoor and tough indoor heating, preferably under canopies. It can heat a terrace within 10 minutes and is felt up to 4 meters from the source, depending of the type. The HEATSTRIP distinguishes itself by its modern appearance.

Advantages HEATSTRIP:

- Uses minimal space
- Stylish
- Does not become red hot
- Energy saving
- Low maintenance
- Suitable for built-in
- Design and development in Australia

TT-MTR and TT-MTM Wall Controller with remote control:

This HEATSTRIP has been designed for ease of use to ensure economic running costs of your heater. It provides a timer for automatic heater operation. The timer function has four settings. It can turn the heater on for 1 hour, 2 hours, 4 hours or constantly on. The TT-MTM controller has also an timer function but you are also able to adjust the temperature output of the HEATSTRIP in high, medium or low. The timer can be operated where it is installed or via remote control unit. The remote control has a range of 10 metres and must be within line of sight of the wall switch.



f www.facebook.com/heatstrips
 @ [heatstripeu](https://www.instagram.com/heatstripeu)
 # [heatstrip.eu](https://www.instagram.com/heatstrip.eu)

HEATSTRIP
Classic



HEATSTRIP
Design



HEATSTRIP
Elegance



HEATSTRIP
Enhance



HEATSTRIP
Max



NEW

HEATSTRIP
Intense



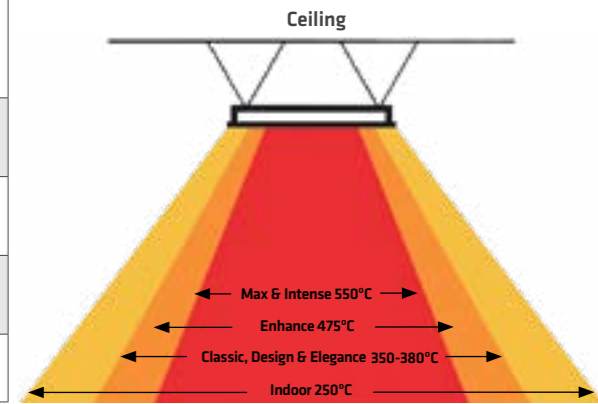
HEATSTRIP
Indoor



HEATSTRIP
Gas



Application	Enhance	Intense	Max	Elegance	Classic	Design	Indoor
Indoor insulated areas: classrooms, offices, bathrooms, wet areas, drying rooms.	✓	✓	✗	✓	✓	✓	✓
Outdoor under cover: café, veranda, patio, balcony ceiling height 2,7m or less.	✓	✓	✓	✓	✗	✗	✗
Outdoor under cover: café, veranda, patio, balcony ceiling height 2,7m to 3,5m.	✓	✓	✓	✗	✗	✗	✗
Indoor open area: warehouse, factory, production areas, sports facilities.	✓	✓	✓	✓	✓	✓	✓
Indoor spot heating, above tables, assembly areas.	✓	✓	✓	✓	✓	✓	✓







HEATSTRIP® Classic





HEATSTRIP® Classic

Premium quality, stylish & slimline electric radiant heaters perfect for protected outdoor and indoor applications. Make it a feature in your outdoor area

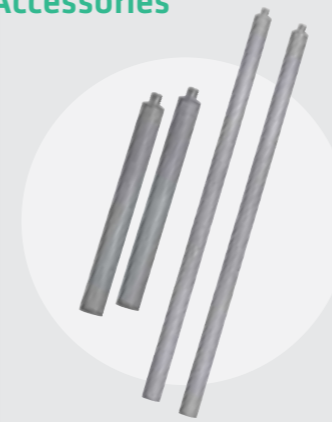
Features:

- Electric radiant heater ideal for your protected alfresco area, pergola, veranda, café or difficult to heat indoor areas
- 3 Models available THH1500AEU (1500W), THH2400AEU (2400W) & THH3200AEU (3200W)
- Stylish, sleek, unobtrusive design with a black front profile
- Efficient, cost-effective heating providing gentle warmth
- The minimum mounting height is 2.10 m, for safety reasons (the radiation panel surface reaches a temperature of at least 370°C)
- Corrosion protected for even the toughest environment
- Easy DIY installation for 2 models (THH1500AEU & THH2400AEU. THH3200AEU must be installed by a licensed electrician) and multiple mounting options
- 4-year residential warranty and 2-year commercial warranty
- Australian designed and engineered



Type	Surface area of covered patio	Surface area of enclosed space	Power (watts)	Current (Amps)	Dimensions (LxWxH)	Weight (Kg)	Lead Length (mm)	Plug	Minimum mounting height	Maximum mounting height
THH1500AEU	3.0 m ²	3.75 m ²	1500	6.3	924 x 165 x 48	5	1000	Yes	2.1 m	2.7 m
THH2400AEU	5.0 m ²	6 m ²	2400	10	1364 x 165 x 48	6	1000	Yes	2.1 m	2.7 m
THH3200AEU	6.0 m ²	8 m ²	3200	13.3	1774 x 165 x 48	8	1000	No	2.1 m	2.7 m

Accessories



Extension mounting bracket
30 cm, 60 cm, 90 cm & 120 cm



Wall mounting bracket



Wire suspension bracket



Flush mount enclosure
**Also available in matte black*

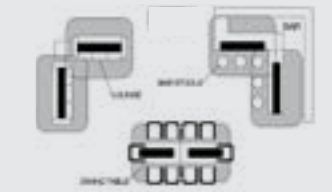
Table setting



6x2400W

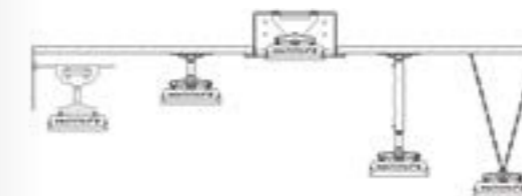


2x 2400W

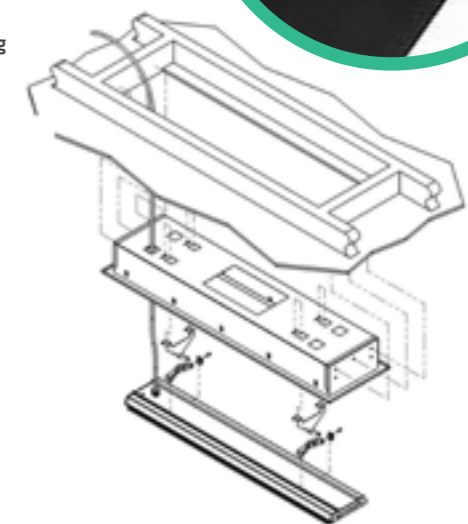


Mounting options

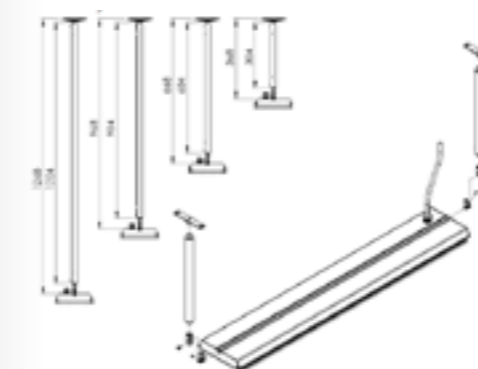
Mounting



Flush mounting bracket



Extension mounting bracket



Suitable for model	Part No	Hole cutout dimensions (mm)	Overall dimensions (mm)
THH1500AEU	THHAC-009	980 x 230	1030 x 280 x 125
THH2400AEU	THHAC-011	1420 x 230	1470 x 280 x 125
THH3200AEU	THHAC-012	1830 x 230	1880 x 280 x 125





HEATSTRIP® Design





HEATSTRIP® Design All Black

HEATSTRIP Design is a stylish, high-quality electric heater with a high intensity. The HEATSTRIP radiant heater is more energy efficient than traditional gas heaters! A HEATSTRIP is perfect to use in covered places at home, as well as commercial places like restaurants, cafes and sporting clubs. The Design unique "All Black" colour can perfectly blend in with the ceiling in your patio area.

Features:

- Casing made of high-grade aluminium
- Complete with adjustable mounting supports suitable for walls and ceilings
- The device comes with an electric lead and plug (2400W)
- The radiation panel itself is black, and produces no red glow
- Voltage 230V, for United Kingdom 240V
- The maximum mounting height is 2.70 m
- The recommended mounting height is approx. 2.50 m
- The minimum mounting height is 2.10 m, for safety reasons (the radiation panel surface reaches a temperature of at least 400°C)
- The heaters are certified IP55 waterproof. This means that the Heatstrips are 100% rain and weatherproof
- 4 year residential warranty and 2 year commercial warranty

HEATSTRIP has successfully enabled many entertainment venues such as restaurants, pubs and clubs to utilise their outdoor dining areas day and night, through all seasons.



Type	Surface area of covered patio	Surface area of enclosed space	Power (watts)	Current (Amps)	Dimensions (LxWxH)	Weight (Kg)	Lead Length (mm)	Plug	Minimum mounting height	Maximum mounting height
THD2400EU	3.0 m ²	3.75 m ²	2400	6.3	1200 x 170 x 50	5	1000	Yes	2.1 m	2.7 m
THD3600EU	5.0 m ²	6 m ²	3600	10	1800 x 170 x 50	6	1000	Yes	2.1 m	2.7 m

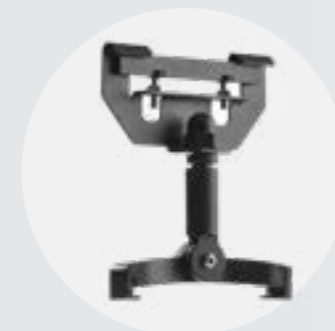
Accessories



Extension mounting bracket
30 cm, 60 cm, 90 cm & 120 cm



Wall mounting bracket



Wire suspension bracket



Flush mount enclosure

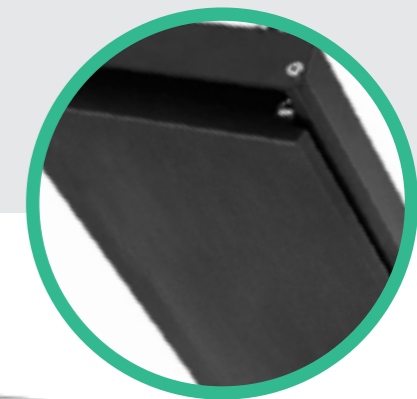
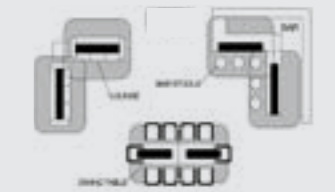
Table setting



6x2400W

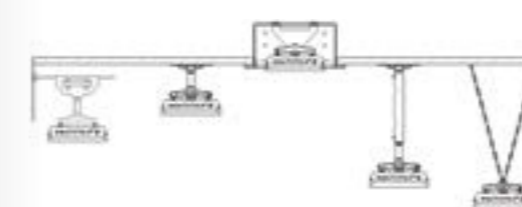


2x 2400W

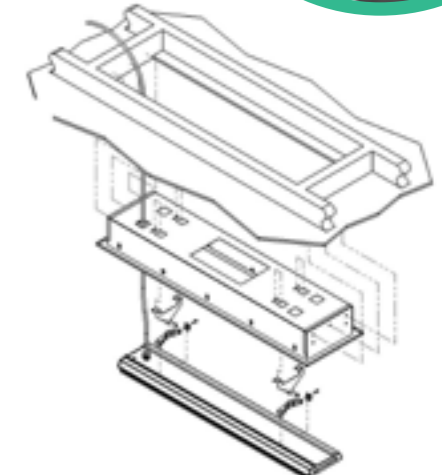


Mounting options

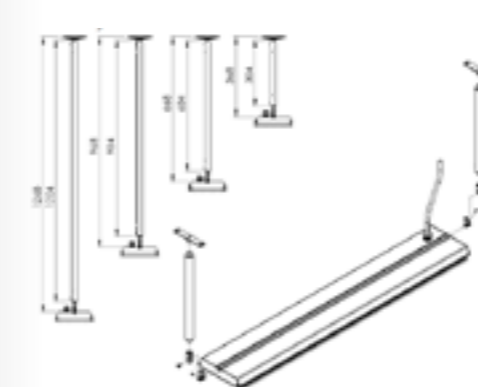
Mounting



Flush mounting bracket



Extension mounting bracket



Suitable for model	Part No	Hole cutout dimensions (mm)	Overall dimensions (mm)
THD2400EU	THDAC-061	1260 x 240	1310 x 290 x 125
THD3600EU	THDAC-062	1860 x 240	1910 x 290 x 125



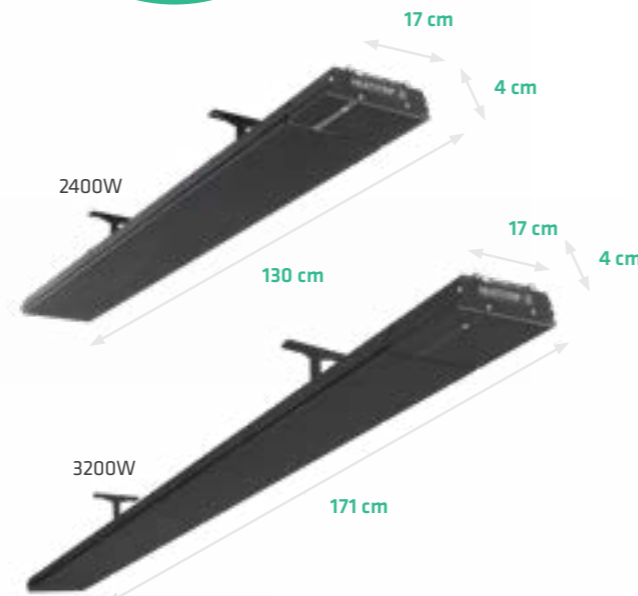
HEATSTRIP® Design + remote

Choice of: Timer + Low/High or Smart App version

The HEATSTRIP Design with remote is a high intensity electric radiant heater suitable for outdoor and tough indoor heating. The HEATSTRIP Design is thin but functional and can heat a terrace within 10 minutes. The remote function gives you the possibility to use the timer function and switch in output (medium or high). Energy savings and a great performance can be expected. It should be preferably be used under a roof outdoors in order to prevent loss of heat.

Features:

- Electric radiant heater perfect for your protected alfresco area, pergola, verandah or café
- The elegant, slimline design and black colour blends in seamlessly with most white ceilings
- World leading element design produces a more compact and higher output heater
- The device comes with an electric lead and plug (2400W)
- Voltage 230V, for United Kingdom 240V
- Significantly more cost-effective than bottled gas heaters
- 2 different steps of energy use plus timer function of 1,2 or 4 hour.
Step 1 ON-H, HEATSTRIP works at full power: 100%
Step 2 ON-L, HEATSTRIP works at 70 % power, so it uses less energy.
- Convenient DIY installation of 2400W model, 3200W model must be hard wired
- The minimum mounting height is 2.10 m for safety reasons (the radiation surface reaches a temperature of about 400°C)
- The heaters are certified IP55 waterproof. This means that the Heatstrips are 100% rain and weatherproof
- 4 year residential warranty and 2 year commercial warranty
- Tuya smart app is compatible with Iphone / Android, Alexa and Google Hub



Compatible with
Iphone / Android
Alexa, Google Hub



2400W/3200W
(remote)

Type	Surface area of covered patio	Surface area of enclosed space	Power (watts)	Current (Amps)	Dimensions (LxWxH)	Weight (Kg)	Lead Length (mm)	Plug	Minimum mounting height	Maximum mounting height
THD2400EUR	4 m ²	6 m ²	2400	10	1306 x 170 x 43	6	3000	Yes	2.1 m	2.7 m
THD3200EUR	5 m ²	8 m ²	3200	13	1710 x 170 x 43	9	3000	No	2.1 m	2.7 m
THD2400EURA	4 m ²	6 m ²	2400	10	1306 x 170 x 43	6	3000	Yes	2.1 m	2.7 m
THD3200EURA	5 m ²	8 m ²	3200	13	1710 x 170 x 43	9	3000	No	2.1 m	2.7 m

Accessories



Extension mounting bracket
30 cm, 60 cm, 90 cm & 120 cm



Wire suspension bracket

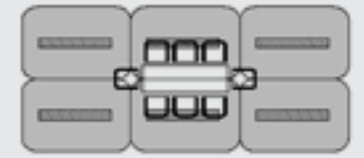


Standard mounting bracket

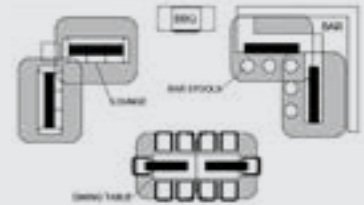


Flush mount enclosure

Table settings



6x2400 Watt

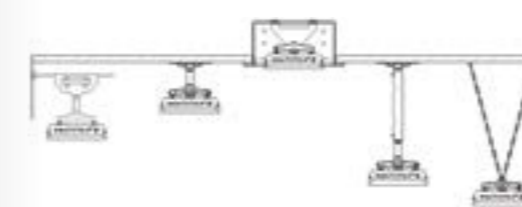


3x3200 Watt

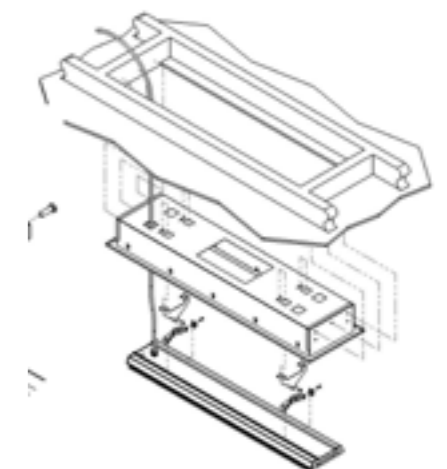


Mounting options

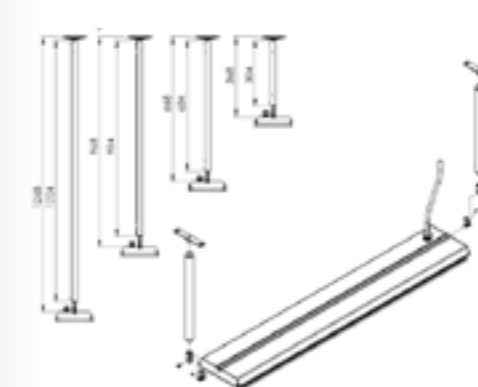
Mounting



Flush mount enclosure



Extension mounting bracket



Suitable for model	Part No	Hole cutout dimensions (mm)	Overall dimensions (mm)
THD2400EUR	THDAC-058	1385 x 235	1439 x 290 x 125
THD3200EUR	THDAC-059	1785 x 235	1839 x 290 x 125
THD2400EURA	THDAC-058	1385 x 235	1439 x 290 x 125
THD3200EURA	THDAC-059	1785 x 235	1839 x 290 x 125





HEATSTRIP® Elegance



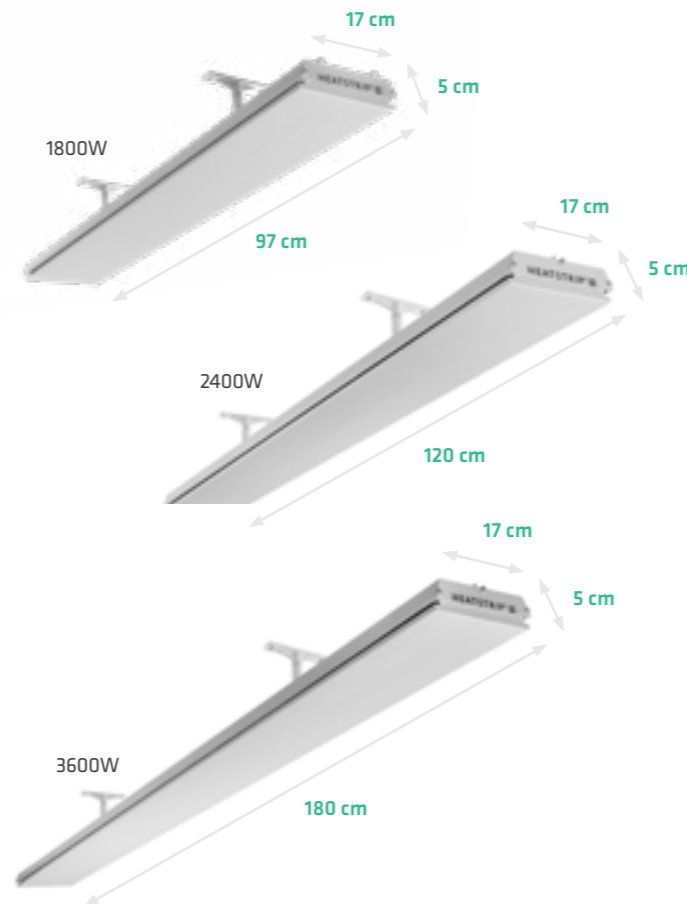


HEATSTRIP® Elegance

HEATSTRIP Elegance is a range of stylish, premium, high-intensity electric panel heaters. With huge running cost savings compared to bottled gas heaters, HEATSTRIP is ideal for outdoor undercover protected applications, both residential and commercial. The first off-white outdoor heater utilizes the latest technology for maximum comfort. Using the latest material coating and heating element technology.

Features:

- Electric radiant heater perfect for your protected alfresco area, pergola, veranda or café
- The elegant, slimline design and “off-white” colour blends in seamlessly with most white ceilings
- World leading element design produces a more compact and higher output heater
- The device comes with an electric lead and plug (1800W + 2400W)
- Voltage 230V, for United Kingdom 240V
- Significantly more cost-effective than bottled gas heaters
- Convenient DIY installation of 1800W and 2400W models, 3600W model must be hard wired
- The minimum installation height is 2,10 meters. (The panel reaches a temperature of 400 degrees celsius)
- The heaters are certified IP55 waterproof. This means that the Heatstrips are 100% rain and weatherproof
- 4 year residential warranty and 2 year commercial warranty



Type	Surface area of covered patio	Surface area of enclosed space	Power (watts)	Current (Amps)	Dimensions (LxWxH)	Weight (Kg)	Lead Length (mm)	Plug	Minimum mounting height	Maximum mounting height
THE1800EU	3 m ²	4,5 m ²	1800	7,5	974 x 170 x 48,5	4	1000	Yes	2,1 m	2,7 m
THE2400EU	4 m ²	6 m ²	2400	10	1204 x 170 x 48,5	7	1000	Yes	2,1 m	2,7 m
THE3600EU	6 m ²	9 m ²	3600	15	1804 x 170 x 48,5	9	1000	No	2,1 m	2,7 m

Accessories



Extension mounting bracket
30 cm, 60 cm, 90 cm & 120 cm



Wall mounting bracket

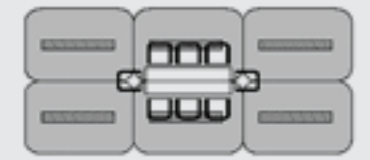


Wire suspension bracket

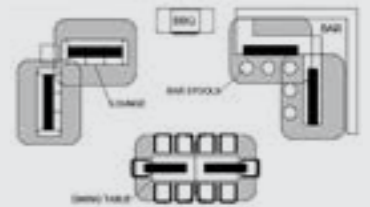


Flush mount enclosure

Table settings

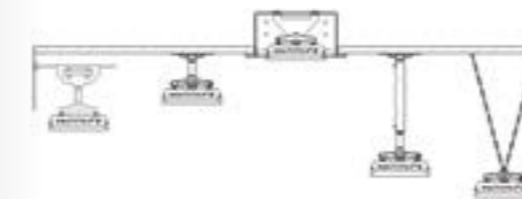


6x2400 W

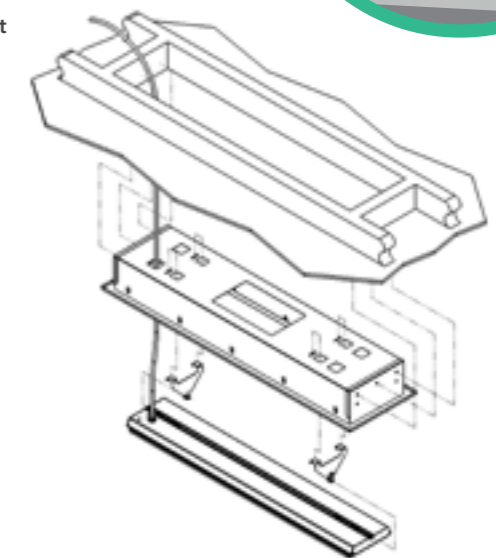


Mounting options

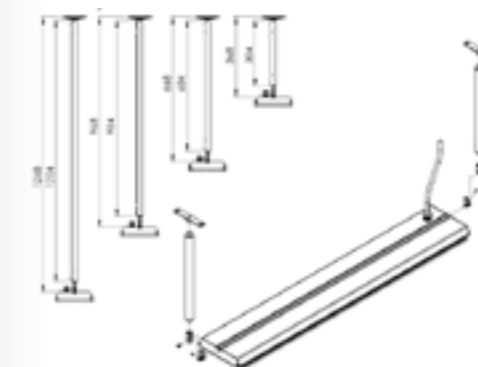
Mounting



Flush mount enclosure



Extension mounting bracket



Suitable for model	Part No	Hole cutout dimensions (mm)	Overall dimensions (mm)
THE 1800EU	THEAC-040	1030 x 240	1080 x 290 x 125
THE 2400EU	THEAC-041	1260 x 240	1310 x 290 x 125
THE 3600EU	THEAC-042	1860 x 240	1910 x 290 x 125



HEATSTRIP® Elegance + remote/app

Timer + Low/High and Smart App version

HEATSTRIP Elegance is a range of stylish, premium, high-intensity electric panel heaters. With huge running cost savings compared to bottled gas heaters, HEATSTRIP is ideal for outdoor undercover protected applications, both residential and commercial. The first off-white outdoor heater utilizes the latest technology for maximum comfort. Using the latest material ceramic coating and heating element technology.

Features:

- Electric radiant heater perfect for your protected alfresco area, pergola, verandah or café
- The elegant, slimline design and "off-white" colour blends in seamlessly with most white ceilings
- World leading element design produces a more compact and higher output heater
- The device comes with an electric lead and plug (2400W)
- Voltage 230V, for United Kingdom 240V
- Significantly more cost-effective than bottled gas heaters
- 2 different steps of energy use plus timer function of 1,2 or 4 hour.
Step 1 ON-H, HEATSTRIP works at full power: 100%
Step 2 ON-L, HEATSTRIP works at 70 % power, so it uses less energy.
- Convenient DIY installation of 2400W model, 3200W model must be hard wired
- The minimum mounting height is 2.10 m . for safety reasons (the radiation surface reaches a temperature of about 400°C)
- The heaters are certified IP55 waterproof. This means that the Heatstrips are 100% rain and weatherproof
- 4 year residential warranty and 2 year commercial warranty
- Tuya smart app is compatible with Iphone / Android, Alexa and Google Hub



Compatible with
Iphone / Android
Alexa, Google Hub



2400W/3200W
(remote)

Type	Surface area of covered patio	Surface area of enclosed space	Power (watts)	Current (Amps)	Dimensions (LxWxH)	Weight (Kg)	Lead Length (mm)	Plug	Minimum mounting height	Maximum mounting height
THE2400EURA	4 m ²	6 m ²	2400	10	1306 x 170 x 43	6	3000	Yes	2.1 m	2.7 m
THE3200EURA	5 m ²	8 m ²	3200	13	1710 x 170 x 43	9	3000	No	2.1 m	2.7 m

Accessories



Extension mounting bracket
30 cm, 60 cm, 90 cm & 120 cm



Wire suspension bracket

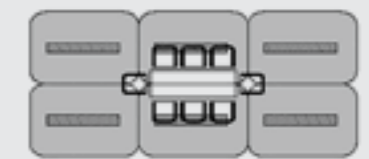


Standard mounting bracket

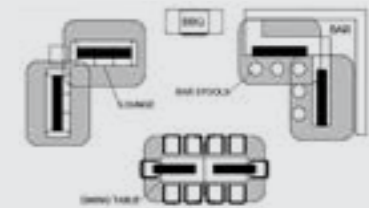


Flush mount enclosure

Table settings



6x2400 W

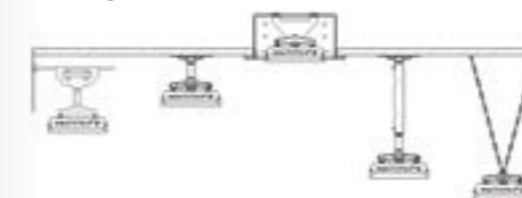


Wiring diagram

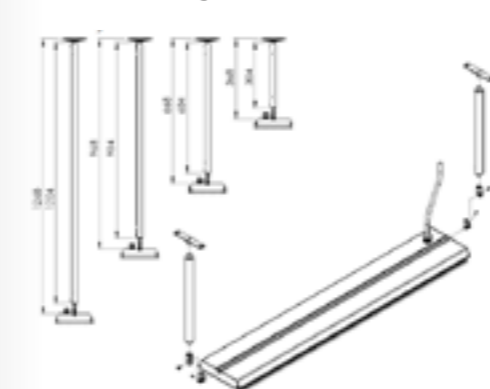


Mounting options

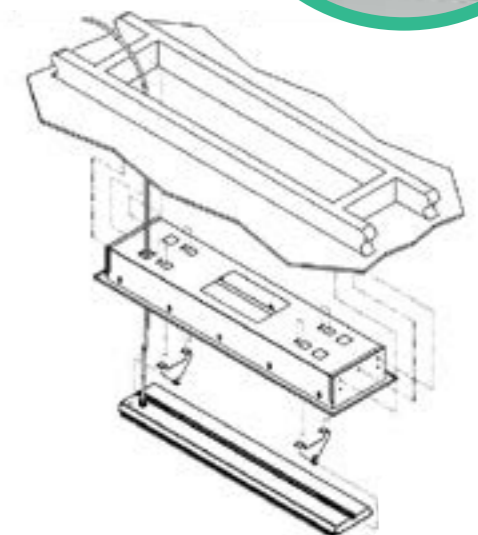
Mounting



Extension mounting bracket



Flush mount enclosure



Suitable for model	Part No	Hole cutout dimensions (mm)	Overall dimensions (mm)
THE2400EURA	THERAC-056	1385 x 235	1439 x 290 x 125
THE3200EURA	THERAC-057	1785 x 235	1839 x 290 x 125



HEATSTRIP® Enhance





HEATSTRIP® Enhance

This sleek, slimline heater with a smooth German Schott glass front is the perfect all-black electric heating solution for instant performance. Easily control the heater with the included remote and app, with a timer ranging from 0-24 hours and 3 different heating levels. Whether you need localised or direct spot heating indoors or outdoors, this heater is sure to meet your needs.

Features:

- Indoor/outdoor electric radiant heater.
- 2 models available THG2400BAEU (2400 Watt) and THG3200BAEU (3200 Watt)
- Complete with adjustable mounting supports suitable for walls and ceilings
- Sleek, slimline appeal with a smooth German-made Schott glass panel
- Remote, app plus smart home connectivity. Compatible with Google and Amazon smart home platforms. Bluetooth & WIFI
- Remote control provides 3 heat levels with adjustable timer options from 0-24 hours with the touch of a button.
- Convenient DIY Installation for the 2400W model. 3200W model must be hard-wired and installed by a licensed electrician.



Type	Surface area of covered patio	Surface area of enclosed space	Power (watts)	Current (Amps)	Dimensions (LxWxH)	Weight (Kg)	Lead Length (mm)	Plug	Minimum mounting height	Maximum mounting height
THG2400BAEU	6 m ²	9 m ²	2400	10	920 x 187 x 76	8	1000	Yes	2.1 m	2.8 m
THG3200BAEU	9 m ²	14 m ²	3200	13.5	1020 x 187 x 76	10	1000	No	2.1 m	2.8 m

Accessories

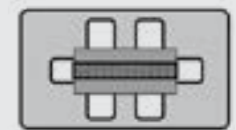


Standard mounting bracket

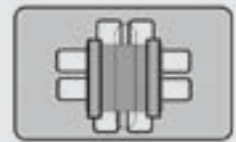


Flush mount enclosure

Table setting



2400 W

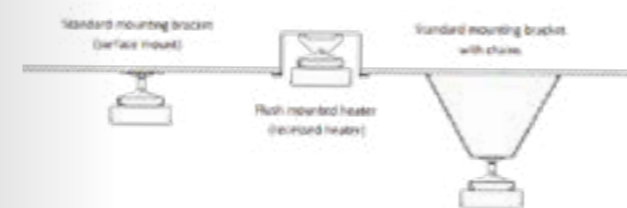


2x2400 W

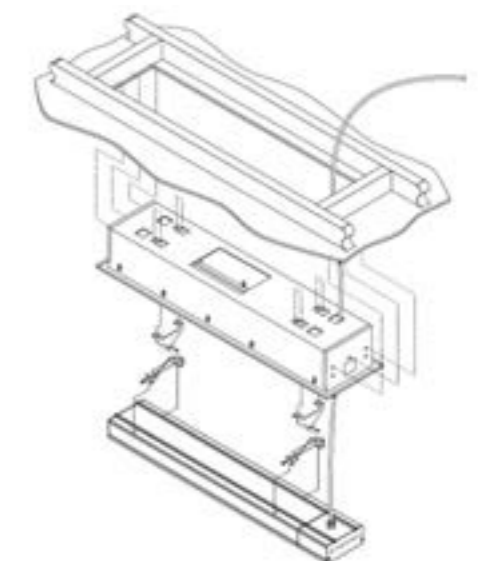


Mounting options

Mounting



Flush mount enclosure



Standard mounting brackets



Suitable for model	Part No	Hole cutout dimensions (mm)	Overall dimensions (mm)
THG2400BAEU	THGAC-001	1035 x 253	1091 x 308 x 181
THG3200BAEU	THGAC-002	1135 x 253	1191 x 308 x 181





HEATSTRIP[®] Max





HEATSTRIP[®] Max

HEATSTRIP Max is an electric radiant heater that can be used indoors or outdoors with high quality, robust X heater grille design.

Features:

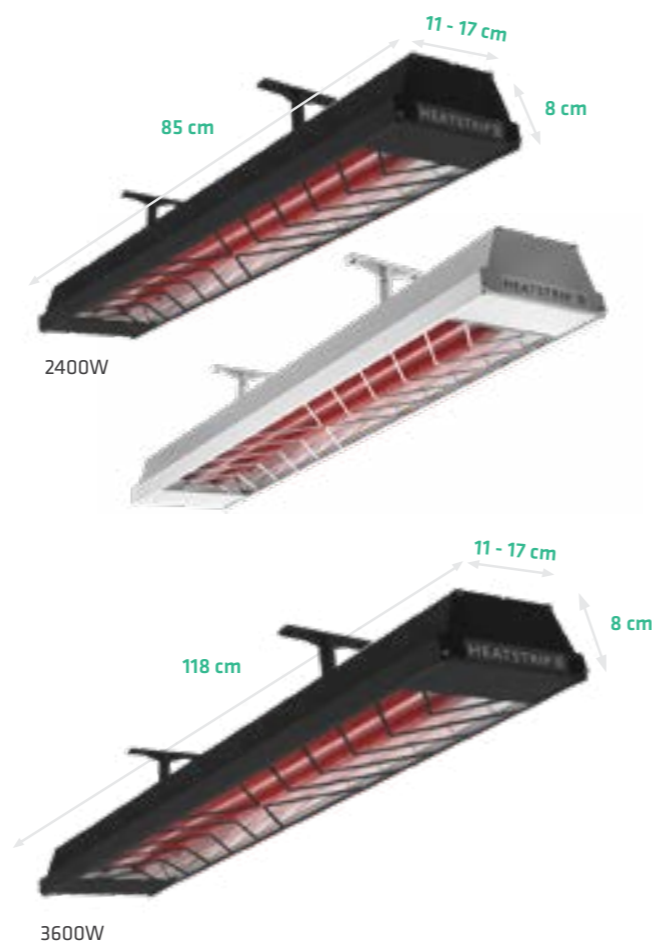
- High output radiant heat
- Unique Soft-glow heating technology, no dazzling red glow
- Suitable for permanent use outdoors
- 2 (2400W) or 3 (3600W) unique Incoloy 840 elements with an diameter of 14mm, which can never be broken. Totally different compared to a glass element. Powerful incoloy 840 is high-end quality and is used often by bridgebuilder, shipbuilders and in the offshore industry.
- The device comes with an electric lead and plug (2400W)
- Voltage 230V, for United Kingdom 240V
- Low-maintenance and protection against corrosion
- For HEATSTRIP Max in black the powerful incoloy elements are treated with a ceramic coating for extra heat output
- High quality
- The minimum mounting height is 2.10 m, for safety reasons. (the radiation panel surface reaches a temperature of at least 550°C)
- Australian design and development
- IPX5 This means that the Heatstrips are 100% rain and weatherproof

Unique Soft-glow technology

The specially designed and developed Soft-glow heating element produces a very gentle and discrete warmth. There is no dazzling glow, as is the case with other infrared heaters, so you can simply enjoy the warmth in peace.

High quality – four-year replacement guarantee

The HEATSTRIP Max is made of a very robust and high-quality material. This makes the HEATSTRIP Max durable, and it has a long usable life under all conditions. 4 year residential warranty and 2 year commercial warranty.



Type	Surface area of covered patio	Surface area of enclosed space	Power (watts)	Current (Amps)	Dimensions (LxWxH)	Weight (Kg)	Lead Length (mm)	Plug	Minimum mounting height	Maximum mounting height
THX2400EU	6 m ²	16 m ²	2400	10	854 x 170 x 80	5	3000	Yes	2.1m	3.5m
THX3600EU	9 m ²	24 m ²	3600	15	1184 x 170 x 80	6	1000	No	2.1m	3.5m
THX2400EU-BL	6 m ²	16 m ²	2400	10	854 x 170 x 80	5	3000	Yes	2.1m	3.5m
THX3600EU-BL	9 m ²	24 m ²	3600	15	1184 x 170 x 80	6	1000	No	2.1m	3.5m

Accessories



Extension mounting bracket
30 cm, 60 cm, 90 cm & 120 cm



Stand

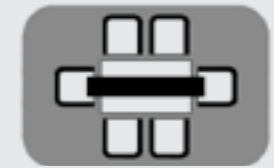


Standard mounting bracket

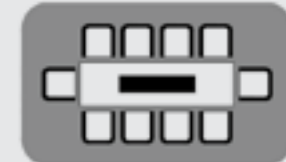


Flush mount enclosure

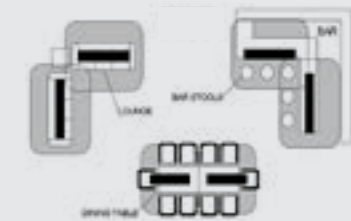
Table setting



2400 W

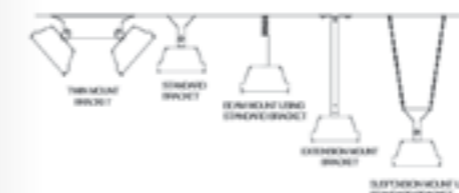


3600 W

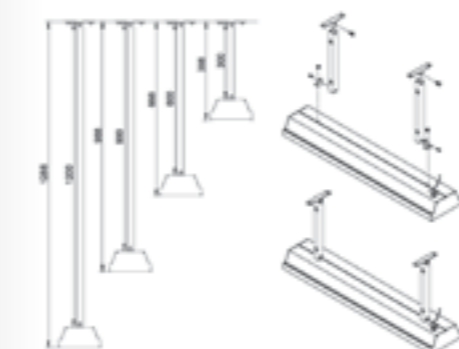


Mounting options

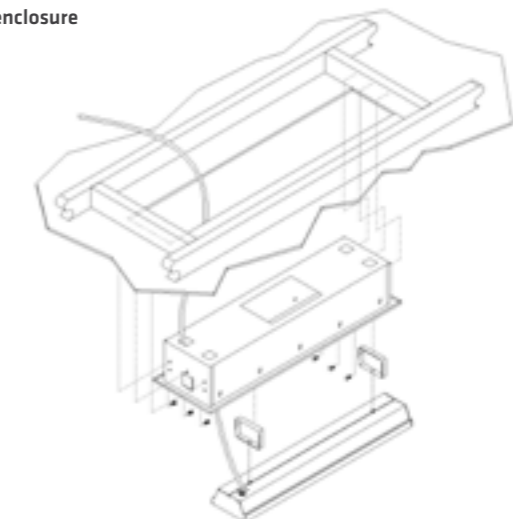
Mounting



Extension mounting brackets



Flush mount enclosure

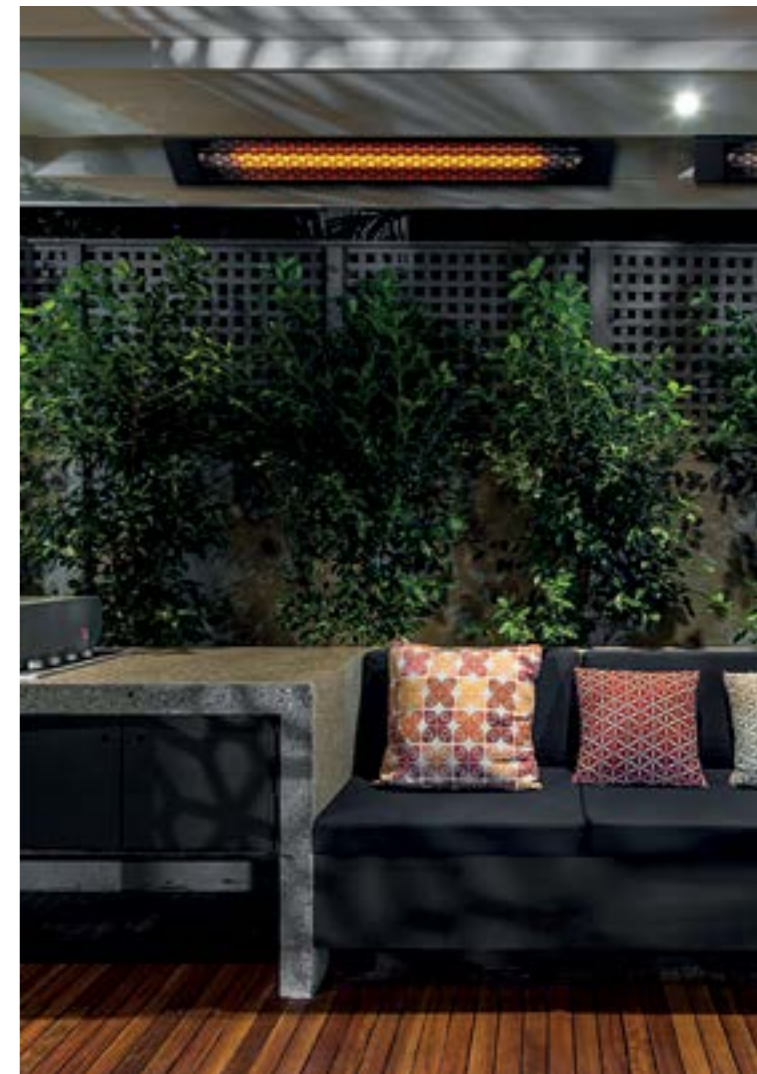


Suitable for model	Part No	Hole cutout dimensions (mm)	Overall dimensions (mm)
THX2400EU	THXAC-030	935 x 250	980 x 180 x 290
THX3600EU	THXAC-031	1260 x 250	1310 x 180 x 290





HEATSTRIP® Intense





HEATSTRIP® Intense

The HEATSTRIP® Intense Electric heater is an attractive outdoor heating solution, providing high output, instant heat. HEATSTRIP has successfully enabled many entertainment venues such as restaurants, pubs and clubs to utilise their outdoor dining areas day and night, through all seasons.

Features:

- Easy DIY installation with brackets included
- Ideal for undercover protected and semi- exposed outdoor locations
- Complete with adjustable mounting supports suitable for walls and ceilings
- The device comes with an 3 meter electric lead and plug
- Voltage 230V, for United Kingdom 240V
- Low-maintenance and protection against corrosion
- Instantaneous, carbon-flament element
- High quality construction with a new hexagonal grille
- Carbon filament infra-red heating element provides high performance instant heat
- Australian design and development
- 2 year residential and 1 year commercial warranty
- IPX5 This means that the Heatstrips are 100% rain and weatherproof



Type	Surface area of covered patio	Surface area of enclosed space	Power (watts)	Current (Amps)	Dimensions (LxWxH)	Weight (Kg)	Lead Length (mm)	Plug	Minimum mounting height	Maximum mounting height
THY22003EU	9 m ²	14 m ²	2200	9.2	1068 x 120 x 90	6	3000	Yes	2.1 m	3.5 m
THX2400CR-EU	12 m ²	19 m ²	2400	10	979 x 170 x 80	6	1000	Yes	2.1 m	2.8 m

Accessories



Extension mounting bracket
30 cm, 60 cm, 90 cm & 120 cm



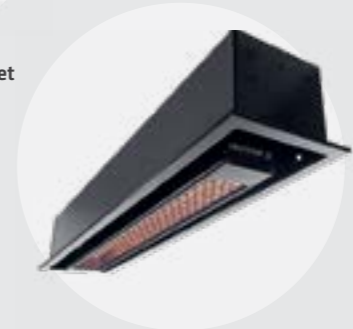
Stand



Wire suspension bracket



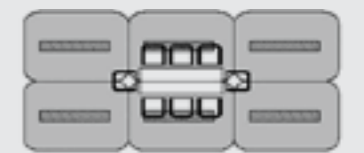
Standard mounting bracket



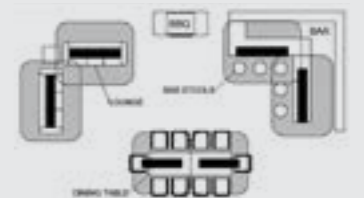
Flush mount enclosure



Table setting



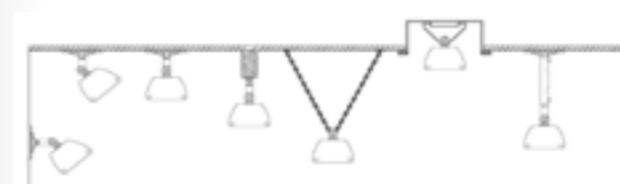
6x2200 W



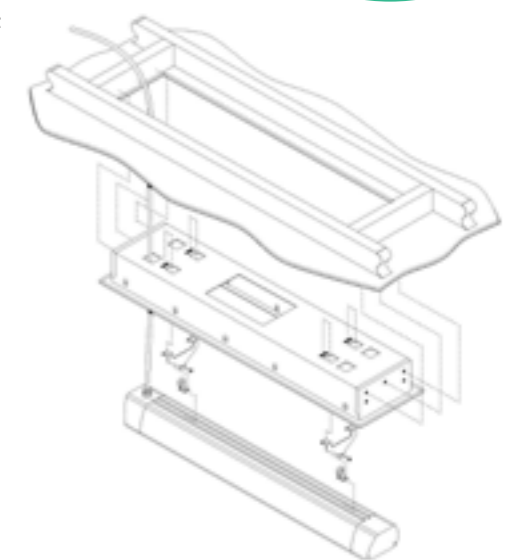
6x2200 W

Mounting options

Mounting



Flush mount enclosure



Extension mounting brackets



Suitable for model	Part No	Hole cutout dimensions (mm)	Overall dimensions (mm)
THY22003EU	THYAC - 047B	1122 x 176	1150 x 204 x 190
THX2400CR-EU	THXAC-034	1088 x 234	1146 x 290 x 180



HEATSTRIP® Stand

The HEATSTRIP free-standing heater, Model THAC-100 is the classy and refined solution, for when a portable, easy DIY electric heating option is required. Incorporating a sleek and robust stand, it is ideal for heating of tables, lounges, entertaining areas and work stations, both indoors and outdoors. The THAC-100 is suitable for all types up to 2400 watt, except the indoor.

Features:

- Stylish, high quality portable, free- standing outdoor heater stand
- Ideal for alfresco areas, balconies, apartments & hospitality (indoor & outdoor use)
- Voltage 230V, for United Kingdom 240V
- Components are easy for DIY installation
- In-built wheels for easy portability, perfect for residential and commercial applications
- Corrosion protected by special e-coating treatment
- 2 year residential and 1 year commercial warranty



HEATSTRIP Classic
1500 & 2400 watt

215,8 cm

6 cm

62 cm

68 cm



HEATSTRIP Intense 2200



HEATSTRIP Max 2400



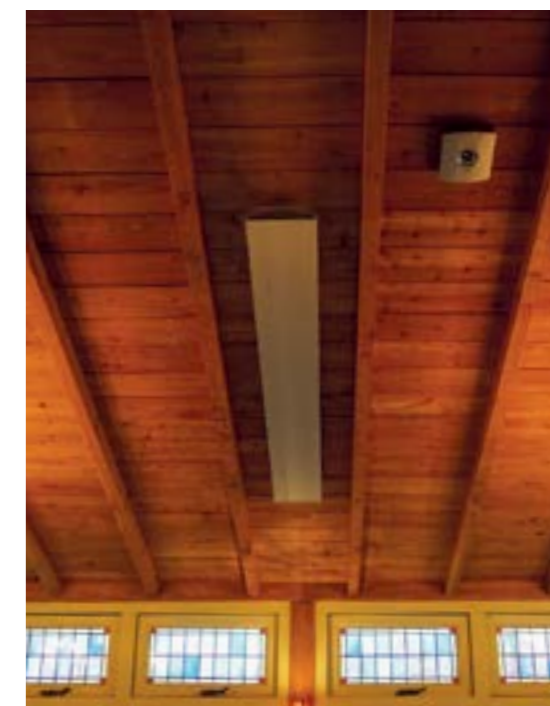
HEATSTRIP Classic 1500







HEATSTRIP[®] Indoor



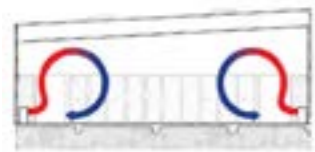
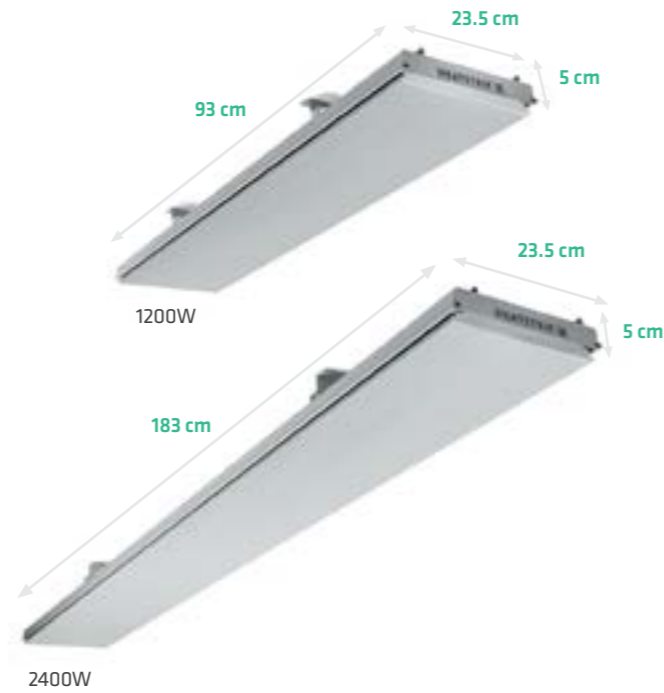


HEATSTRIP[®] Indoor

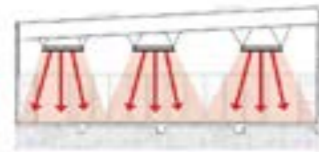
Unique, modern, slimline conservatory heater, heating the immediate area to a pleasant temperature within ten minutes. It is also economical in its energy consumption. The HEATSTRIP Indoor is only suitable for indoor applications, for instance in conservatories, living rooms, garages, etc.

Features:

- Silver-white color
- Water protection rating of IP45 and specifically
- Designed for indoor heating
- The device comes with an electric lead and plug (1200W + 2400W)
- Voltage 230V, for United Kingdom 240V
- Enhanced HEATSTRIP performance
- Suitable for multiple applications – commercial & residential
- Multiple mounting options allows for easy installation
- Low maintenance
- 4 year residential warranty and 2 year commercial warranty
- Standard mounting brackets are already included



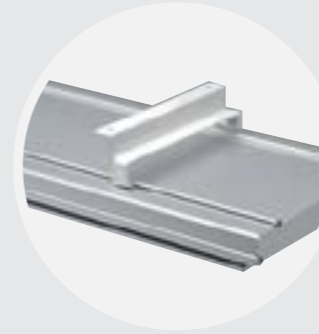
Convective heat can be lost in uninsulated areas or naturally rise towards the roof in high ceiling locations.



Radiant heat is directed downwards to where it is required, and can be zoned to heat only those areas that are occupied.

Type	Surface area of covered patio	Power (watts)	Current (Amps)	Dimensions (LxWxH)	Weight (Kg)	Lead Length (mm)	Plug	Minimum mounting height	Maximum mounting height
THS1200AEU	8 m ²	1200	5.0	924 x 235 x 48	6	1000	Yes	2.1 m	3.0 m
THS2400AEU	16 m ²	2400	10	1834 x 235 x 48	11	1000	Yes	2.1 m	3.0 m

Accessories



Standard mounting bracket



TT-MTR

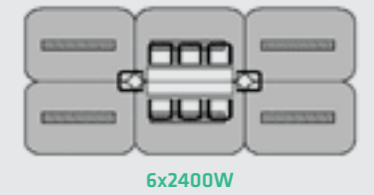


Angle mounting brackets

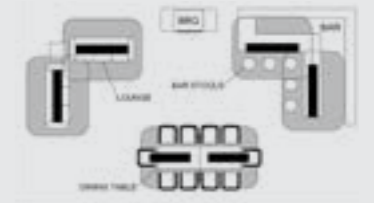


Flush mount enclosure

Table setting

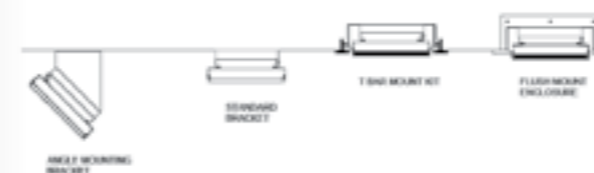


6x2400W

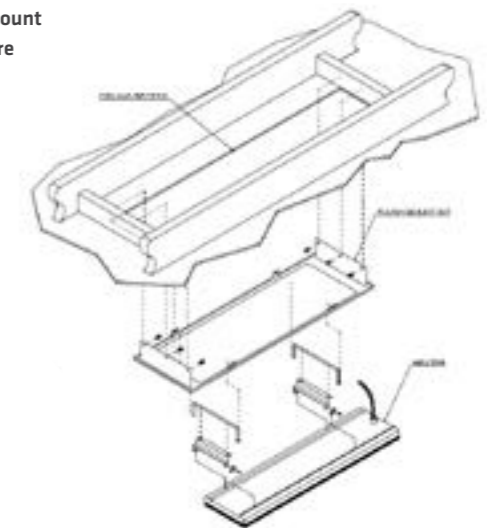


Mounting options

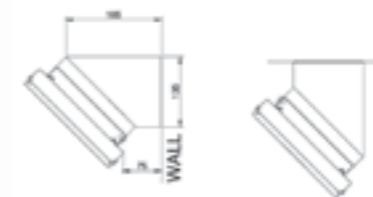
Mounting



Flush mount enclosure



Angle mounting bracket



Suitable for model	Part No	Hole cutout dimensions (mm)	Overall dimensions (mm)
THS1200AEU	THSAC-026	1020 x 325	1040 x 345 x 100
THS2400AEU	THSAC-028	1930 x 325	1950 x 345 x 100

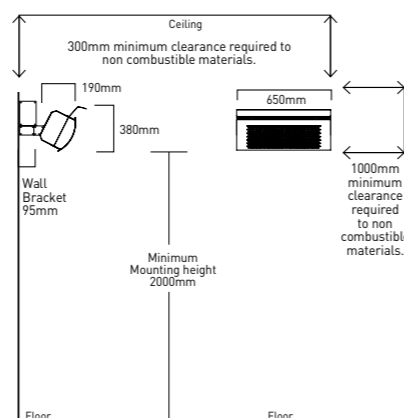


HEATSTRIP® Gas - Wall Mounted Heater

The HEATSTRIP Wall Mounted Gas heater, Model TGH34PL-2EU30 (LPG 30MB) and TGH34WNEU-2 (NG) are a stylish addition to any outdoor area, where mains Naturel Gas is preferred. World class design aesthetics, heat output and performance, for both residential and commercial applications.

Features:

- 34MJ (9,44 kWh), 4 tile commercial quality ceramic burners, for connection to mains gas
- The heater head unit is now full stainless steel with ultra high temperature paint finish
- The operation system is by finger pull tabs, with fully earthed thermocouple
- Protective grille and reflector included as standard, to guarantee safe Operation. Reflector design ensures that only a minimum of 500mm overhead clearance is required
- Wall mounting bracket allows for mounting angle, and is extremely robust to provide strength and support
- 2 year residential and 1 year commercial warranty



Type	Gas type	Tiles	kWh	Ignition	Dimensions (LxWxH)
TGH34PL-2EU30	LPG	4	9,44	Electronic	650 x 190 x 380
TGH34WNEU-2	Natural gas	4	9,44	Electronic	650 x 190 x 380



HEATSTRIP® Gas - Portable Heater

The HEATSTRIP Gas portable LPG heater, Model TGH34PL incorporates world leading design, quality, heat performance and efficiency to provide a stylish, robust and elegant solution for your outdoor and open indoor alfresco areas, balcony, patio, halls & warehouses.

Features:

- 34 MJ (9,44 kWh) and 4 tile commercial quality ceramic burners To be used with 9kg LPG bottle (not included)
- The operation system is by finger pull tabs, with fully earthed thermocouple
- Integrated wheels for easy portability and storage, allows you to heat exactly where you want it. Perfect for residential and commercial applications
- Components are sub-assembled for easy DIY installation
- Protective grille and reflector included as standard, to guarantee safe operation
- 2 year residential and 1 year commercial warranty
- Tilt switch: Gas supply stops as soon as the heater falls over

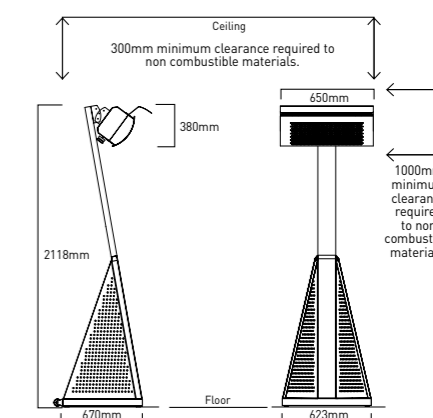
Type	Tiles	kWh	Ignition	Dimensions (LxWxH)
TGH30PL30	4	9,44	Electronic	650 x 670 x 2118
TGH30PL2STAND				
TGHCOVER	N/A	N/A	N/A	650 x 670 x 2118



Optional: Cover



Heating output







HEATSTRIP® 

For more information about the HEATSTRIP
and possibilities, visit our website.



www.heatstrip.eu

© HEATSTRIP